



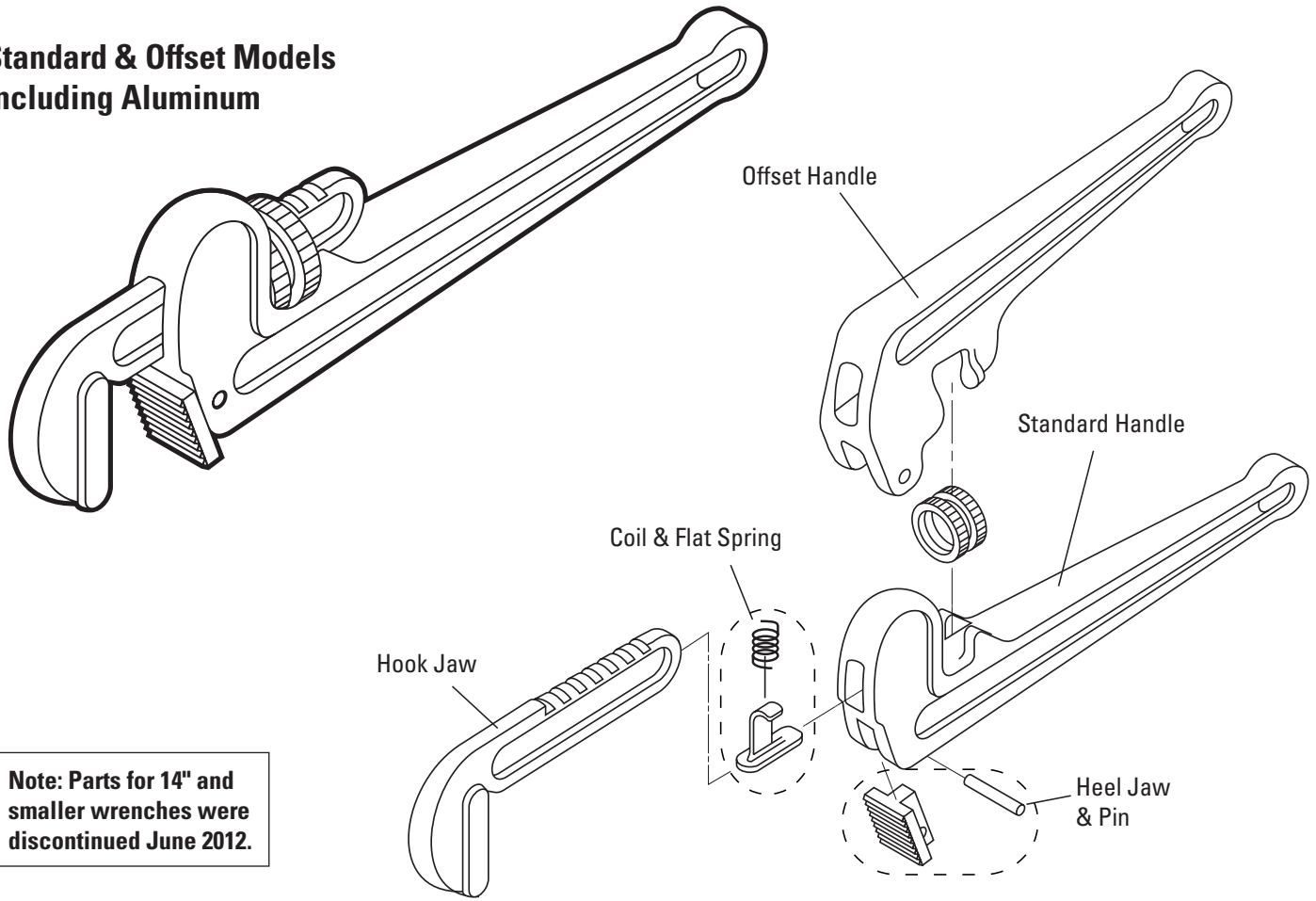
PIPE TOOLS & VISES
SINCE 1896

Pipe Wrenches (Heavy Duty)

Replacement Parts

Applies to: 02160, 02170,
02180, 02190, 02097, 02099,
02101, 02102, 02105, 02204

Standard & Offset Models Including Aluminum



Note: Parts for 14" and smaller wrenches were discontinued June 2012.

Parts List

Tool Code	HOOK JAW		HEEL JAW & PIN		COIL & FLAT SPRING		NUT	
	Item Code	Catalog No.	Item Code	Catalog No.	Item Code	Catalog No.	Item Code	Catalog No.
RW18	92165	RW18B	92175	RW18C	92185	RW18E	92195	RW18F
RW24	92166	RW24B	92176	RW24C	92186	RW24E	92196	RW24F
RW36	92167	RW36B	92177	RW36C	92187	RW36E	92197	RW36F
RW48	92168	RW48B	92178	RW48C	92188	RW48E	92198	RW48F
RW60	—	—	92179	RW60C*	—	—	—	—
ARW18	92165	RW18B	92175	RW18C	92185	RW18E	92195	RW18F
ARW24	92166	RW24B	92176	RW24C	92186	RW24E	92196	RW24F
ARW36	92167	RW36B	92177	RW36C	92187	RW36E	92197	RW36F
ARW48	92168	RW48B	92178	RW48C	92188	RW48E	92198	RW48F
ARW60	92223	ARW60B	92221	ARW60C	92222	ARW60E	92224	ARW60F
ARW018	92200	ARW018B	92175	RW18C	92202	ARW018E	92195	RW18F

*Replaces Ridgid® #31775