



PIPE TOOLS & VISES
SINCE 1896



Shown (Equipo Mostrado) DM3MECH
#08350

DM3MECH and DM3MECHBSPT Mechanical Hot Tapping Machine Operator's Manual

DM3MECH y DM3MECHBSPT Manual del operador de la máquina para perforación mecánica en tubería cargada (tapping)

REED MANUFACTURING

1425 WEST EIGHTH ST. ERIE, PA 16502 USA PHONE: 800-666-3691 OR +1-814-452-3691 FAX: 800-456-1697 OR +1-814-455-1697

www.reedmfgco.com

0820R-58350



CAUTION:

When used on a pressurized system an outward force on the shaft will occur as the drill bit passes through wall of the pipe. Forces can be as high as 45 lbs on a system pressurized at 300 psi. At any time after the drill bit passes through wall of the pipe a reactive force must be applied to the end of the shaft until the shaft is in the fully retracted position, failure to do so may cause damage to the tool or personal injury.

Applying too much force while cutting the coupon can result in a sudden breakthrough of the hole saw. A sudden break through may result in the coupon retaining drill bit striking the back side of the main and damaging the drill bit. One can prevent this by cutting a spacer of 3/4" copper tube long enough to stop the drill bit from hitting the back of the main. Slip this spacer over the exposed shaft between the gland nut and the drill chuck.

Note: Use standard depth holes only.

Store shafts separate from hole saws. Allowing the hole saw teeth to contact the shaft during transportation and storage can damage the shaft. A damaged shaft can damage the Main Body and cause the shaft to seize during use.

Description:

REED DM3MECH and DM3MECHBSPT make branch connections from 3/4" to 4" valve size on any appropriately sized mainline for most piping materials up to 300 psi. **Not recommended for use on plastic pipe.** The machine eliminates the need to shutdown, drain, cut, refit and refill piping systems.

See www.reedmfgco.com for items included with the purchase of REED #08350, #08351, #08354 and #08355.

Specifications:

Valve Size: 3/4" to 4"
 Pipe Materials: Mild Steel, Galvanized Steel, Stainless Steel, Copper, Brass, and Aluminum pipe

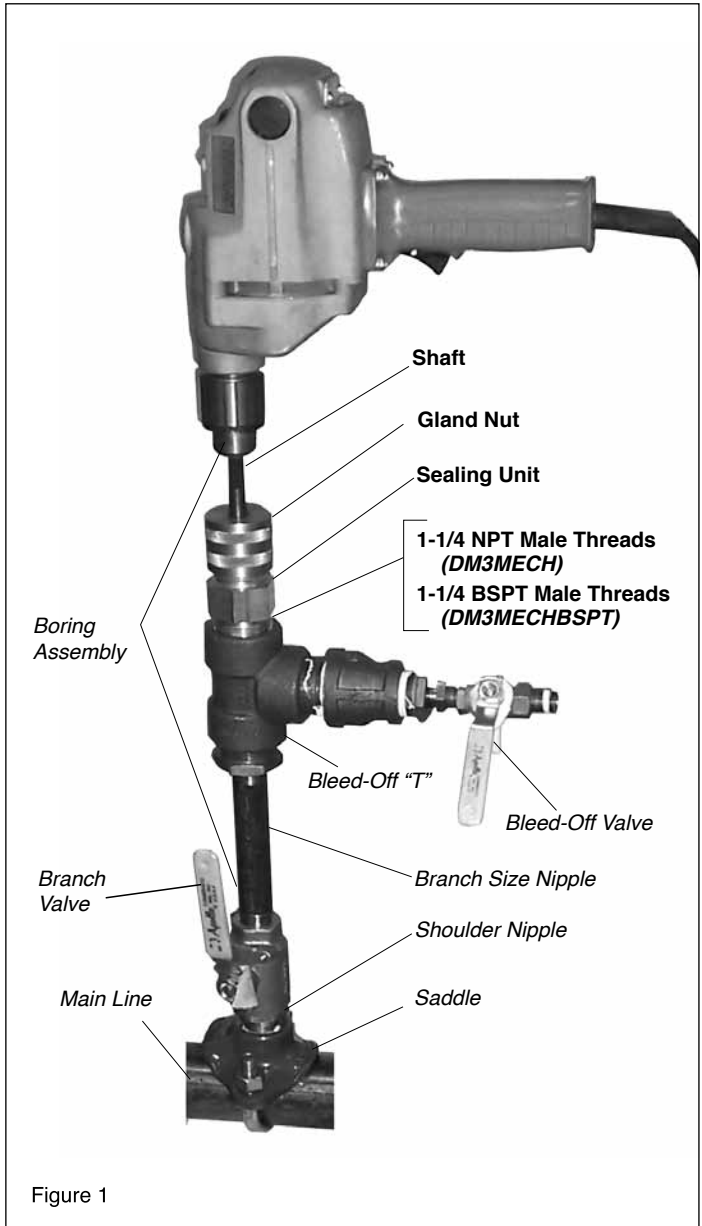
Maximum Pressure:
 Chilled water and hot water systems: 300 psi
 Steam: 15 psi

Maximum Operating Water Temperature
 250 degrees F

Do not use any DM3MECH models on ammonia or any other caustic systems.

Accessories (Required but not supplied)

1. Correctly sized saddle (or threadolet).
2. Branch size shoulder nipple.
3. Branch sized full bore gate valve (or full bore ball valve).
4. Branch sized nipple long enough for drill bit to clear valve when fully retracted.
5. Branch size 1 1/4" NPT "T" or 1 1/4" BSPT "T" and appropriate reducer bushings. (Labeled as Bleed-Off "T", Figure 1.)
6. Valve or hose bib, and appropriate pipe nipple and reducer bushings. (Labeled as Bleed-off Valve, Figure 1.)
7. 3/8" or 1/2" Drill Motor.



8. Hose (if flushing chips or filings away).

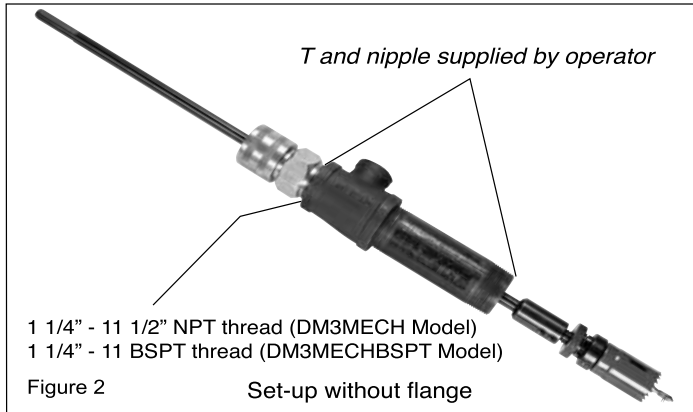
Additional Accessories for 3" and 4" Flanged Valves.

- A. Fabricated pipe saddle and flange (4 1/2" throat of saddle to face of flange).
- B. Branch size threaded flange.
- C. Branch size by 1 1/4" bushing.
- D. 1 1/4" by close nipple.
- E. 1 1/4" by 1 1/4" by 1 1/4" "T".
- F. 1 1/4" to 1/2" bushing.



Operation (NOT using a flanged valve):

Verify all equipment is in good condition. Use only fittings, nipples and valves pressure rated for the job. Electrical tools and extension cords must comply with OSHA rules. Outside the United States, follow the rules of and comply with the local governing body for Occupational Safety. Using a ground fault interrupter increases operator safety when using electric power tools around water and other fluids.



1. Bolt saddle fitting on mainline. Or, weld a threadolet onto the mainline.
2. Select the proper size hole saw. Verify the hole saw clears the gate valve bore adequately. Inadequate clearance can result in damage should the hole saw contact the valve while sawing.
3. Install shoulder nipple and Branch Valve onto the fitting (or threadolet).
4. Select the appropriate shaft.
 - A. For 5/8" to 1 1/8" hole saws, screw directly to the 18" shaft (no arbor).
 - B. For 1 3/8" to 3 1/4" hole saws, use the #43514 Arbor on the 24" shaft.
5. Install Hole Saw.
 - A. 5/8" to 1 1/8" Hole Saws screw directly to the 18" shaft.
 - B. 1 3/8" to 3 1/4" Hole Saw - insert arbor into the 24" shaft, tighten set screws. Screw the hole saw on to the end of the arbor, align barrel pins with holes on hole saw and turn the upper diameter of the arbor to engage barrel pins.
6. Install coupon retaining drill bit. The end of the wire must extend past the end of the hole saw to retain the coupon. Align the flats on the bit with the set screw and tighten. See Figure 5 to set coupon retaining drill bit.
7. Assemble appropriate bleed-off "T" and branch nipple to the Main Body. See Figures 1 and 2 for details.
8.
 - A. Apply a thin layer of H1 grease to the shaft before and after use.
 - B. Loosen the gland nut and install the shaft gently. Use a twisting motion while pushing the shaft past the seal in the Main Body.

- C. Tighten the gland nut until snug.
9. Assemble to the mainline the saddle, shoulder nipple, branch valve and any reducers needed.
10. Pull the shaft as far back as possible into the bleed-off "T".
11. Attach the boring assembly to the gate valve. See Figure 1 for details.
12. Install the Bleed-off Valve onto the "T".
13. Attach hose to Bleed-off Valve for flushing chips to drain (if desired).
14. Pressure test setup through the Bleed-off Valve.
15. Chuck shaft into drill motor.
 - MAKE SURE drill is set in non-hammer mode.
 - DO NOT USE impact type drills.
16. Drill until pilot drill penetrates the main line. Verify seals OK. One can hand tighten the Gland Nut should fluid leak past the Main Body at the shaft. Do not over tighten the Gland Nut. (See CAUTION on page 2.)
17. Resume drilling. Use moderate pressure until the hole saw penetrates the main completely. Reduce the pressure on the drill prior to break through. Reducing the pressure before break through reduces the likelihood of the drill bit and hole saw hitting the back side of the main.
18. Pull the drill and shaft back to the limit, shut the Branch Valve, open the Bleed Valve and then disconnect the Boring Assembly from the Branch Valve.
19. Loosen the Gland Nut and remove the shaft with a twisting motion. Grease the shaft to prevent rusting.

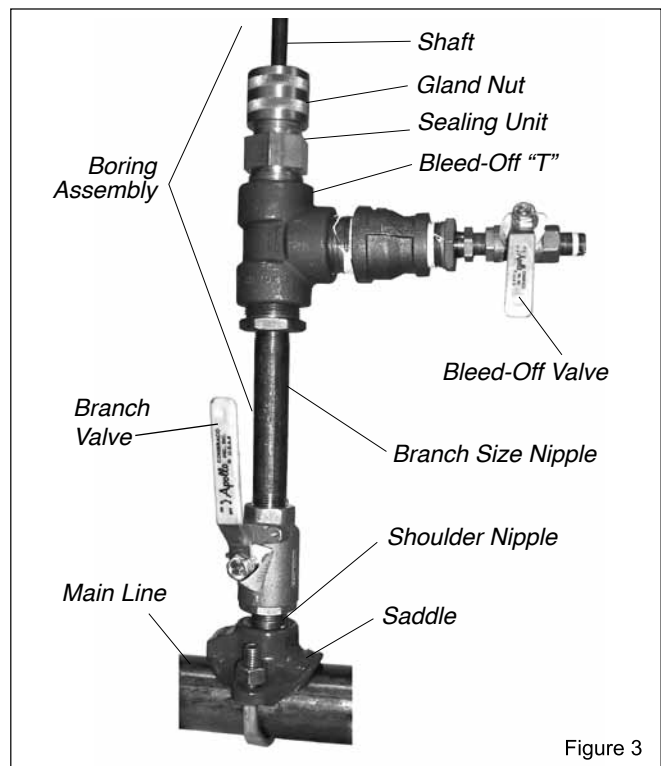


Figure 3



Operation (Using a flanged valve):

Verify all equipment is in good condition. Use only fittings, nipples and valves pressure rated for the job. Electrical tools and extension cords must comply with OSHA rules. Outside the United States, follow the rules of and comply with the local governing body for Occupational Safety. Using a ground fault interrupter increases operator safety when using electric power tools around water and other fluids.

1. Fabricate and weld a pipe saddle and flange assembly no longer than 4 1/2" from the high part of the mainline to the face of the flange onto the main.
2. Select the proper size hole saw. Verify the hole saw clears the gate valve bore adequately. Inadequate clearance can result in damage should the hole saw contact the valve while sawing.
3. Bolt the valve to the flange.
4. Select the appropriate shaft.
 - A. For 5/8" and 1 1/8" hole saws, screw directly to the the 18" shaft (no arbor).

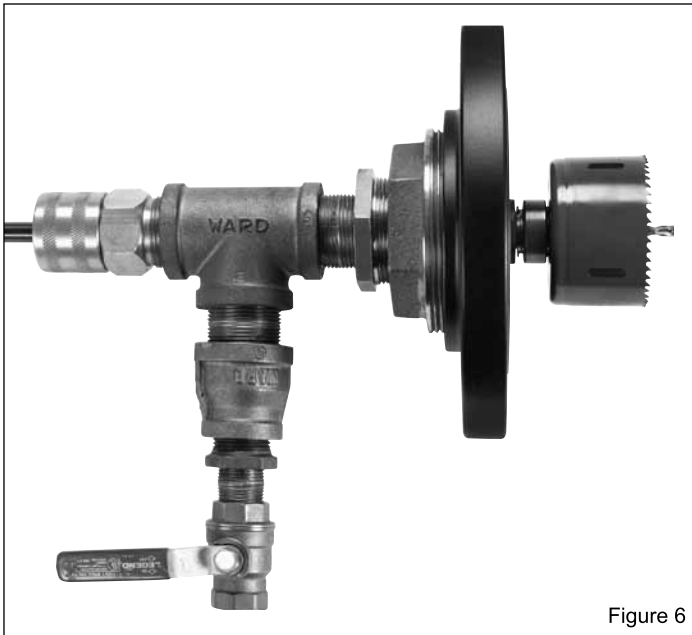
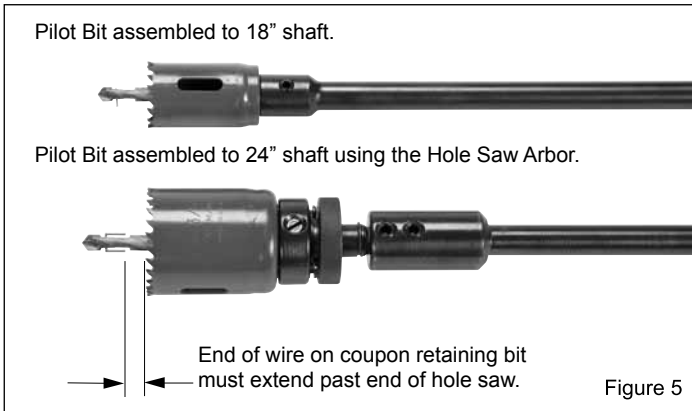
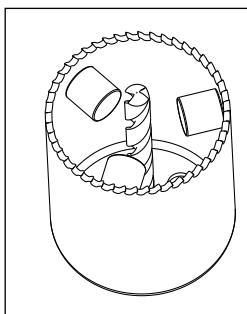


Figure 4

- B. For 1 3/8" to 3 1/4" hole saws, use the #43514 arbor on the 24" shaft.
5. Install Hole Saw.
 - A. 5/8" to 1 1/8" Hole Saws screw directly to the 18" shaft
 - B. 1 3/8" to 3 1/4" Hole Saw - insert #43514 arbor into the 24" shaft, tighten set screws. Screw the hole saw on to the end of the arbor, align barrel pins with holes on hole saw and turn the upper diameter of the arbor to engage barrel pins.
6. Install coupon retaining drill bit. The end of the wire must extend past the end of the hole saw to retain the coupon. Align the flats on the bit with the set screw and tighten. See Figure 5 to set coupon retaining drill bit.
7.
 - A. Apply a thin layer of H1 grease to the shaft before and after use.
 - B. Loosen the Gland Nut and install the shaft gently. Use a twisting motion while pushing the shaft past the seal in the Main Body.
 - C. Tighten the gland nut until snug.
8. Assemble appropriate bleed-off "T" to the Main Body.
9. Assemble the Branch size threaded flange, Branch size by 1 1/4" bushing, 1 1/4" by close nipple, 1 1/4" by 1 1/4" by 1 1/4" "T", Sealing Unit. See Figure 6.
10. Bolt the Boring Assembly onto the valve.
11. Install the Bleed-off Valve onto the "T".
12. Pressure test setup through the Bleed-off Valve.
13. Attach hose to Bleed-off Valve for flushing chips to drain (if desired).
14. Chuck shaft into drill motor.
 - MAKE SURE drill is set in non-hammer mode.
 - DO NOT USE impact type drills.
15. Drill until pilot drill penetrates the main line. Verify seals OK. One can hand tighten the Gland Nut should fluid leak past the Main Body at the shaft. Do not over tighten the Gland Nut.
16. Resume drilling. Use moderate pressure until the hole saw penetrates the main completely. Reduce the pressure on the drill prior to break through. Reducing the pressure before break through reduces the likelihood of the retainer, coupon and hole saw hitting the back side of the main.
17. Pull the drill and shaft back to the limit, shut the Branch Valve, open the Bleed Valve and then disconnect the Boring Assembly from the Branch valve.
18. Loosen the Gland Nut and remove the one shaft with a twisting motion. Apply a thin layer of H1 grease to the shaft to prevent rusting.




CAUTION
Boiling water or steam can cause severe burns. Do not touch during operation or while cooling.

NOTE: The slow speed setting on the drill motor is recommended to prevent magnets from coming loose and losing the coupon. Do not use magnets on hole saws larger than 1 3/4".

Figure 7

Tips:

- Use a new hole saw. Time saved with the new, sharp hole saw will be worth the small cost.
- Use low RPM with larger diameter hole saws for less wear on the hole saws as less heat is generated

OPTIONAL operation for hot tapping black iron, steel, cast iron, galvanized steel pipe using Magnetic Coupon Retainer:

Follow instructions as given in either option above, replacing step 6 with the following:

6. Install standard drill bit #43507, align the flats on the bit with the set screws and tighten. Arrange three or more magnets near the top edge as shown in Figure 7. Use 1/4" diameter magnets for 5/8"-7/8" diameter hole saws and 3/8" diameter magnets for 1 1/8" to 1 3/4" diameter hole saws. Do not use magnets on hole saws larger than 1 3/4" diameter. Return to step 7.

Maintenance Instructions:

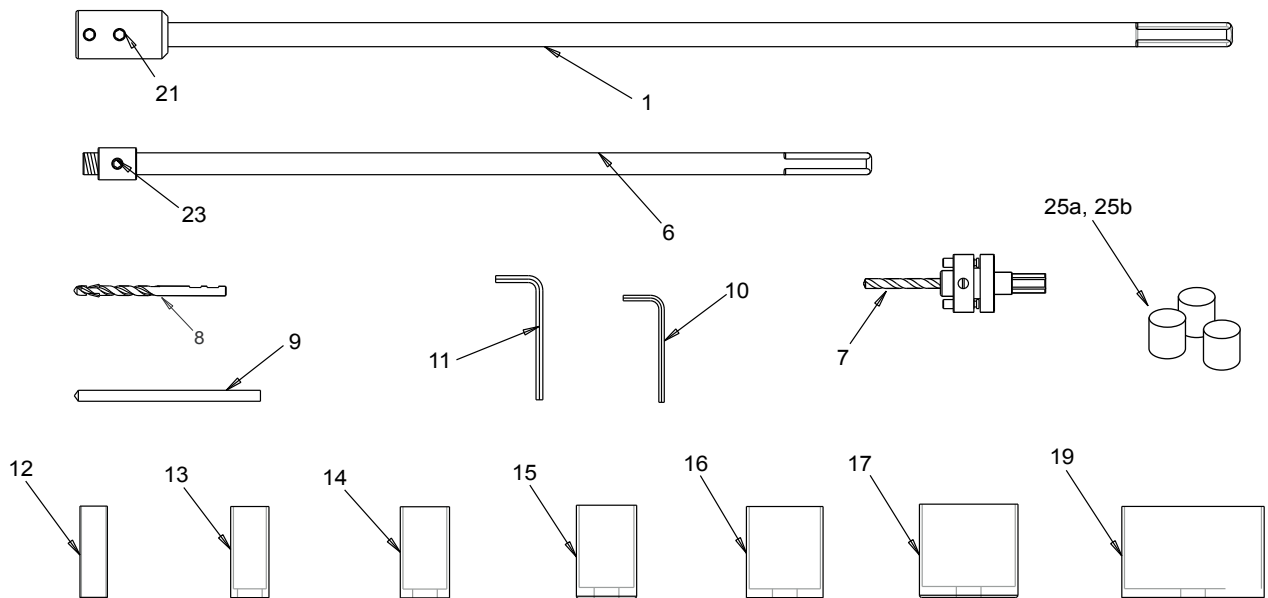
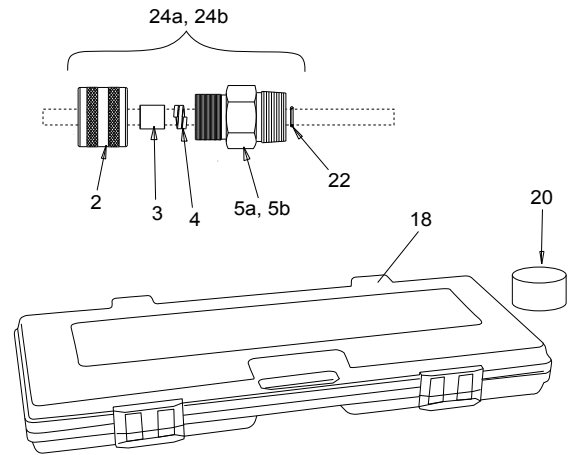
1. After each use:
 - A. Loosen the Gland Nut and remove the shaft.
 - B. Clean and Grease the shaft and bearing surface of the Main Body.
 - C. Store the shaft and main body in the provided case to prevent damage
2. Gland Repacking Instructions:
 - A. Disassemble the packing gland and slide the shaft out of the Main Body.
 - B. Remove the old packing.
 - C. Replace the shaft in the Main Body with a gentle twisting motion.
 - D. Insert the new packing in a clockwise direction using a small screwdriver to compress it into the recess. Replace with Reed part 43511.
 - E. Replace the Brass Ring (93502).
 - F. Clean threads on Gland Nut and Main Body. Dirt on threads can damage the Gland Nut.
 - G. Reinstall the Gland Nut. Handle tighten the Nut to compress the packing.



Parts List (Lista de partes)

Ref. No (Núm de Ref)	Description (Descripción)	Item Code (Código del objeto)	DM3MECH	DM3MECHB	DM3MECHBSPT	DM3MECHBSPTB
			08350	08351	08354	08355
			Qty. Used (Cant. Usada)	Qty. Used (Cant. Usada)	Qty. Used (Cant. Usada)	Qty. Used (Cant. Usada)
1*	24" Shaft Complete (Eje de 24 "completo)	93514	1	1	1	1
2	Gland Nut (Tuerca del prensaestopas)	93501	1	1	1	1
3	Brass Ring (Anillo de bronce)	93502	1	1	1	1
4	1/8" Sq. x 4-1/2" Packing (1/8 "cuad. x empaque de 4-1/2")	43511	1	1	1	1
5a	Main Body (NPT) (Cuerpo principal (NPT))	93500	1	1	N/A (N/D)	N/A (N/D)
5b	Main Body (BSPT) (Cuerpo principal (BSPT))	93503	N/A (N/D)	N/A (N/D)	1	1
6*	18" Shaft (Eje de 18")	93515	1	1	1	1
7	Arbor (Mandril)	43514	1	—	1	—
8	Coupon Retaining Drill Bit (Broca de retención de cupones)	99129	1	1	1	1
9	Drill Bit (Broca)	43507	1	1	1	1
10	1/8" Allen Wrench (Llave Allen de 1/8 ")	40296	1	1	1	1
11	5/32" Allen Wrench (Llave Allen de 5/32")	40149	1	1	1	1
12	5/8" Hole Saw (Sierra de orificio de 5/8")	43500	1	1	1	—
13	7/8" Hole Saw (Sierra de orificio de 7/8")	43501	1	1	1	—
14	1-1/8" Hole Saw (Sierra de orificio de 1-1/8")	43502	1	1	1	—
15	1-3/8" Hole Saw (Sierra de orificio de 1-3/8")	43503	1	1	1	—
16	1-3/4" Hole Saw (Sierra de orificio de 1-3/4")	43504	1	1	1	—
17	2-1/4" Hole Saw (Sierra de agujero de 2-1/4")	43505	1	1	1	—
18	Tool Box (Caja de herramientas)	93526	1	1	1	1
19	3-1/4" Hole Saw (Sierra de agujero de 3-1/4")	43506	1	—	1	—
20	Body Protector (Protector del cuerpo)	43510	1	1	1	1
21*	Set Screw (Tornillo de ajuste)	33524	1	1	1	2
22	O - Ring (Anillo Tórico)	43513	1	1	1	1
23*	1/4 Set Screw (tornillo de fijación de 1/4)	30018	1	1	1	1
24a	Main Assembly (NPT) (Asamblea principal (NPT))	93527	—	—	N/A (N/D)	N/A (N/D)
24b	Main Assembly (BSPT) (Asamblea principal (BSPT))	93528	N/A (N/D)	N/A (N/D)	—	—
25a	above 1" hole cutter, 3/8" magnets (cortador de orificios mayor de 1 ", imanes de 3/8")	08358	1 pk. (1 paquete) (3)	1 pk. (1 paquete) (3)	1 pk. (1 paquete) (3)	1 pk. (1 paquete) (3)
25b	1" and smaller hole cutter, 1/4" magnets (Cortador de orificios de 1" y menor, imanes de 1/4")	08359	1 pk. (1 paquete) (3)	1 pk. (1 paquete) (3)	1 pk. (1 paquete) (3)	1 pk. (1 paquete) (3)
26	H1 Grease (3 oz. tube) (Grasa H1 (tubo de 3 oz.))	43512	1	1	1	1

#33524 and #30018 are sold separate from the shafts #93514 and #93515. (# 33524 y # 30018 se venden por separado de los ejes # 93514 y # 93515 .)





**Recommended Hole Sawing Speeds for Bi-Metal Saws
(Velocidades recomendadas de aserrado de orificios (RPM)
para sierras bimetalicas)**

Diameter (Diámetro) Inches (pulgadas)	Diameter (Diámetro)	Mild/Galvanized Steel (Acero Dulce/ Galvanizado)	Stainless Steel (Acero Inoxidable)	Copper/ Brass (Cobre/ Latón)	Aluminum (Aluminio)
5/8	16	530	275	730	825
7/8	22	390	195	520	585
1 1/8	29	300	150	400	450
1 3/8	35	250	125	330	375
1 3/4	44	195	95	260	295
2 1/4	57	150	75	200	230
3 1/4"	83	105	50	140	155

This tool is not recommended for use on plastic pipe. (Esta herramienta no se recomienda para su uso en tuberías de plástico.)



DM3MECH



DM3MECHBSPT



DM3MECHB



DM3MECHBSPTB

PRECAUCIÓN:

Cuando se usa en un sistema presurizado, se producirá una fuerza hacia afuera sobre el eje a medida que la broca pasa a través de la pared de la tubería. Las fuerzas pueden llegar a ser hasta de 45 libras en un sistema presurizado a 300 psi. En cualquier momento después de que la broca atraviesa la pared de la tubería, se debe aplicar una fuerza reactiva en el extremo del eje hasta que el eje esté en la posición completamente retraída; de lo contrario podría causar daños a la herramienta o lesiones personales.

Si se aplica demasiada fuerza al cortar el cupón, se puede causar que la sierra de orificio penetre repentinamente. Una penetración repentina puede resultar en que la broca de retención del cupón golpee la parte posterior de la tubería principal y dañe la broca. Uno puede evitar esto cortando un separador de tubo de cobre de 3/4" lo suficiente como para evitar que la broca golpee la parte posterior de la tubería principal. Deslice este espaciador sobre el eje expuesto entre la tuerca del prensaestopas y el portabrocas.

Nota: Use solo agujeros de profundidad estándar.

Almacene los ejes aparte de las sierras de orificio. Permitir que los dientes de la sierra de orificio entren en contacto con el eje durante el transporte y el almacenamiento puede dañar el eje. Un eje dañado puede dañar el Cuerpo principal y hacer que el eje se atore durante el uso.

Descripción:

REED DM3MECH y DM3MECHBSPT hacen conexiones de derivación con válvulas de 3/4" a 4" de diámetro en cualquier línea principal del tamaño apropiado para la mayoría de los materiales de tuberías de hasta 300 psi. **No se recomienda su uso en tuberías de plástico.** La máquina elimina la necesidad de apagar, drenar, cortar, remontar y rellenar los sistemas de tuberías.

Visite www.reedmfgco.com para ver los artículos incluidos con la compra de REED # 08350, # 08351, # 08354 y # 08355.

Especificaciones:

Tamaño de la válvula: 3/4" a 4"
 Materiales de tubería: Acero dulce, acero galvanizado, acero inoxidable, Tubo de cobre, latón y aluminio
 Presión máxima: Sistemas de agua fría y agua caliente: 300 psi de vapor: 15 psi

Temperatura máxima de operación del agua
 250 grados F

No utilice ningún modelo DM3MECH con amoníaco ni con ningún otro sistema cáustico.

Accesorios (Requeridos pero no suministrados)

1. Montura del tamaño correcto (o threadolet).
2. Niple de doble rosca del diámetro de la derivación.
3. Válvula de compuerta del diámetro completo de la derivación (o válvula de bola de diámetro completo).
4. Niple del tamaño de una derivación lo suficientemente larga para que la broca pase por la válvula cuando está completamente retraída.
5. "T" de 1 1/4" NPT del diám. de la derivación o "T" de 1 1/4" BSPT y bujes de reducción adecuados. (Etiquetado como "T" de purga, Figura 1.)
6. Válvula o salida de manguera y niples de tubería y bujes de reducción adecuados. (Etiquetado como Válvula de purga, Figura 1.)

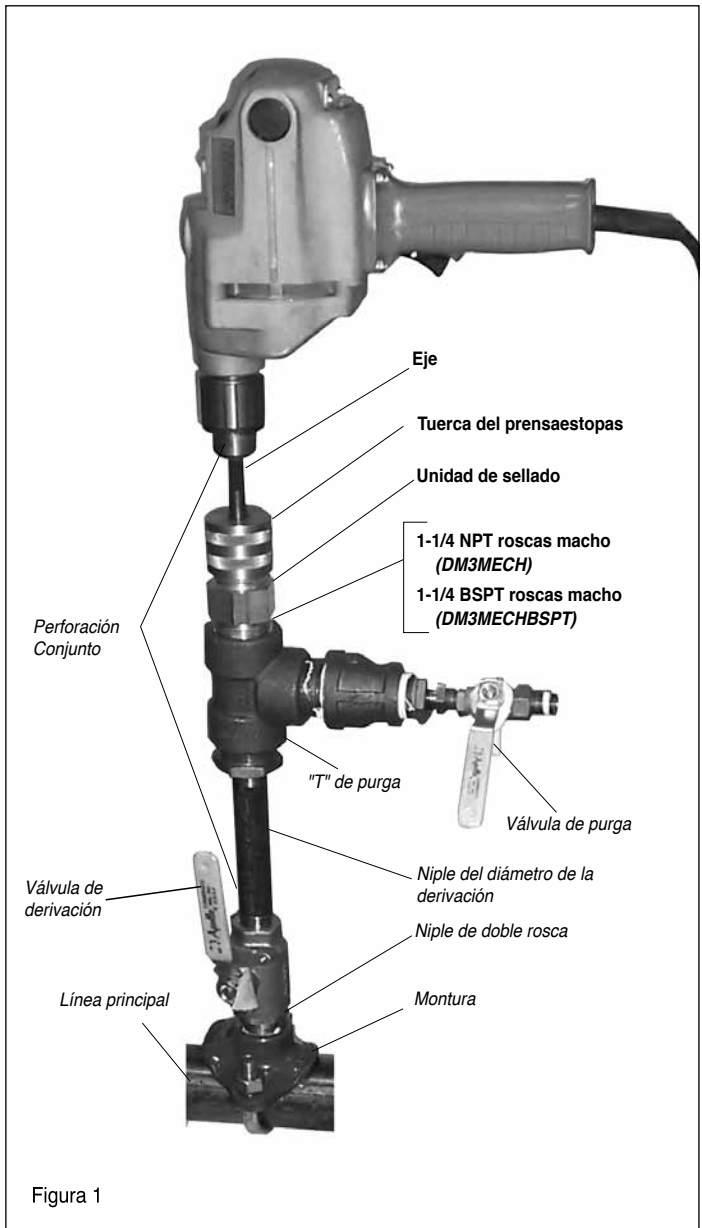


Figura 1

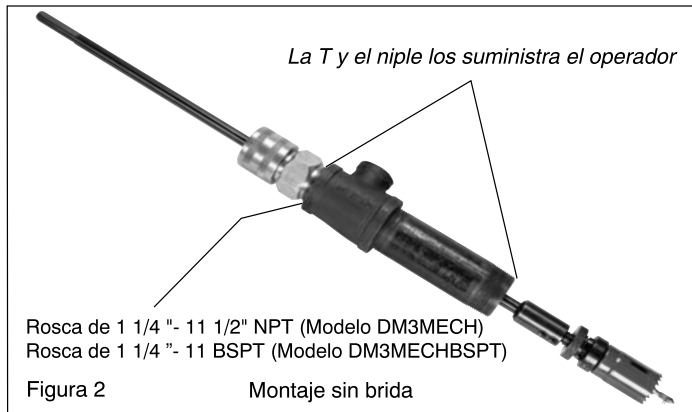
7. Motor de taladro de 3/8" o 1/2".
8. Manguera (si limpia las virutas o limaduras).

Accesorios adicionales para válvulas bridadas de 3"y 4".

- A. Montura y brida fabricados para tubería (garganta de 4 1/2" de la montura a la cara de la brida).
- B. Brida roscada del diámetro de la derivación.
- C. Diámetro de la derivación por buje de 1 1/4".
- D. 1 1/4 "por niple cerrado.
- E. "T" de 1 1/4" por 1 1/4" por 1 1/4".
- F. Bujes de 1 1/4" a 1/2".

Operación (SIN válvula bridada):

Verifique que todo el equipo esté en buenas condiciones. Utilice solo accesorios, niples y válvulas cuya presión nominal sea correcta para el trabajo. Las herramientas eléctricas y los cables de extensión deben cumplir con las reglas de OSHA. Fuera de los Estados Unidos, siga y cumpla las reglas del órgano rector local de Seguridad Ocupacional. El uso de un interruptor de falla a tierra aumenta la seguridad del operador cuando se usan herramientas eléctricas cerca del agua y otros líquidos.



1. Conexión de montura con pernos en la línea principal. O bien, suelde una conexión tipo threadolet en la línea principal.
2. Seleccione el diámetro adecuado para la sierra de orificio. Verifique que la sierra de orificio quepa bien por el orificio de la válvula de compuerta. Si esta no cabe bien, puede causar daños, si la sierra de orificio toca la válvula durante el corte.
3. Instale el niple de doble rosca y la Válvula de derivación en la conexión (o threadolet).
4. Seleccione el eje apropiado.
 - A. Para sierras de orificio de 5/8" a 1 1/8", atornille directamente al eje de 18" (sin mandril).
 - B. Para sierras de orificio de 1 3/8" a 3 1/4", use el mandril # 43514 en el eje de 24".
5. Instale la Sierra de orificio.
 - A. Las sierras de orificio de 5/8" a 1 1/8" se atornillan directamente al eje de 18".
 - B. Sierra de orificio de 1 3/8" a 3 1/4" - inserte el mandril en el eje de 24", apriete los tornillos de fijación. Atornille la sierra de orificio al extremo del mandril, alinee los pasadores del cilindro con los agujeros en la sierra de orificio y gire el diámetro superior del mandril para captar los pasadores del cilindro.
6. Instale la broca de retención de cupones. El extremo del alambre debe prolongarse más allá del extremo de la sierra de orificio para retener el cupón. Alinee las partes planas de la broca con el tornillo de ajuste y apriete. Consulte la Figura 5 para configurar la broca de retención de cupones.
7. Ensamble la "T" de purga apropiada y el niple de derivación al Cuerpo principal. Vea las Figuras 1 y 2 para más detalles.
8.
 - A. Aplique una capa delgada de grasa H1 al eje antes y después de su uso.
 - B. Afloje la tuerca del prensaestopas e instale el eje con delicadeza. Use un movimiento giratorio mientras empuja el eje más allá del sello en el Cuerpo principal.

- C. Apriete la tuerca del prensaestopas hasta que quede ajustada.
9. Ensamble la montura a la línea principal, el niple de doble rosca; se necesita una válvula de derivación y cualquier reductor.
10. Jale el eje lo más atrás posible hacia la "T" de purga.
11. Conecte el conjunto de perforación a la válvula de compuerta. Vea la Figura 1 para más detalles.
12. Instale la válvula de purga en la "T".
13. Conecte la manguera a la válvula de purga para enjuagar las virutas al drenaje (si lo desea).
14. Configuración de prueba de presión a través de la válvula de purga.
15. Coloque el eje en el motor del taladro.
 - ASEGÚRESE de que el taladro no esté configurado en modo de rotomartillo.
 - NO USE taladros de impacto.
16. Perfore hasta que el taladro piloto penetre en la línea principal. Verifique que los sellos estén bien. Se puede apretar a mano la tuerca del prensaestopas si el fluido pasa por el Cuerpo principal en el eje. No apriete demasiado la Tuerca del prensaestopas. (Consulte PRECAUCIÓN en la página 2.)
17. Reanudar la perforación. Use una presión moderada hasta que la sierra de orificio penetre completamente la tubería principal. Reduzca la presión sobre el taladro antes de penetrar. Si se reduce la presión antes de penetrar, se reduce la probabilidad de que la broca y la sierra de orificio golpeen la parte posterior de la tubería principal.
18. Jale el taladro y el eje, haciéndolo retroceder hasta el límite, cierre la Válvula de derivación, abra la Válvula de purga y luego desconecte el Conjunto de perforación de la Válvula de derivación.
19. Afloje la Tuerca del prensaestopas y retire el eje con un movimiento giratorio. Engrase el eje para evitar la oxidación.

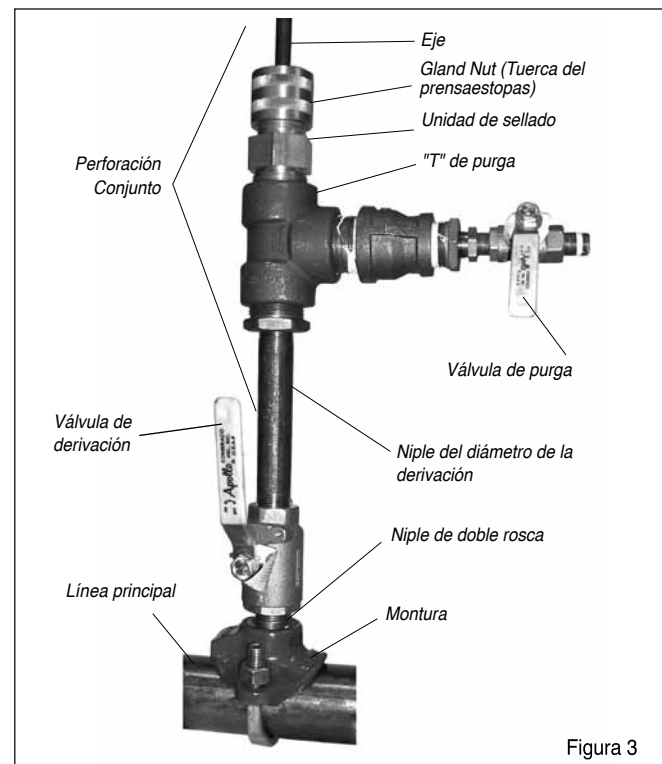


Figura 3

Operación (Uso de una válvula bridada):

Verifique que todo el equipo esté en buenas condiciones. Utilice solo accesorios, nipples y válvulas cuya presión nominal sea correcta para el trabajo. Las herramientas eléctricas y los cables de extensión deben cumplir con las reglas de OSHA. Fuera de los Estados Unidos, siga y cumpla las reglas del órgano rector local de Seguridad Ocupacional. El uso de un interruptor de falla a tierra aumenta la seguridad del operador cuando se usan herramientas eléctricas cerca del agua y otros líquidos.

1. Fabricar y soldar un conjunto de brida y montura de tubería que no supere las 4 1/2" desde la parte alta de la línea principal hasta la cara de la brida sobre la tubería principal.
2. Seleccione el diámetro adecuado para la sierra de orificio. Verifique que la sierra de orificio quepa adecuadamente en el orificio de la válvula de compuerta. Si esta no cabe bien, puede causar daños, si la sierra de orificio toca la válvula durante el corte.
3. Atornille la válvula a la brida.
4. Seleccione el eje apropiado.
 - A. Para sierras de orificio de 5/8" y 1 1/8", atornille directamente al eje de 18" (sin mandril).
 - B. Para sierras de orificio de 1 3/8" a 3 1/4", use el mandril #43514 en el eje de 24".



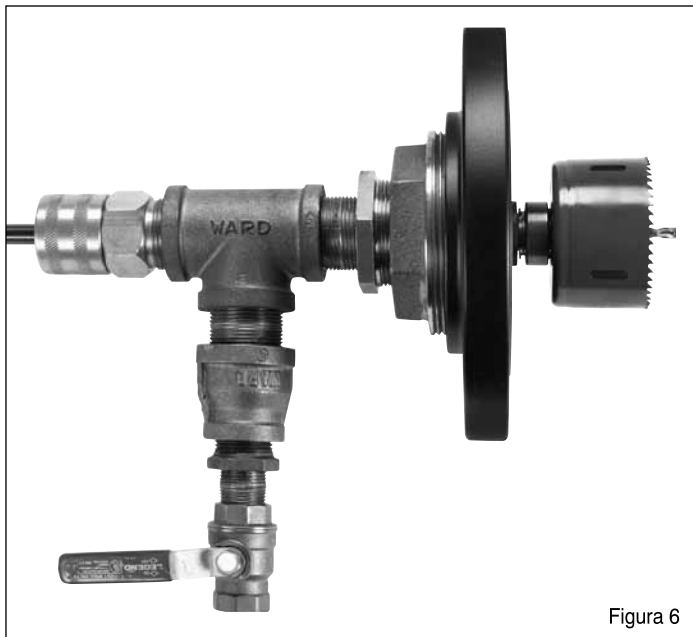
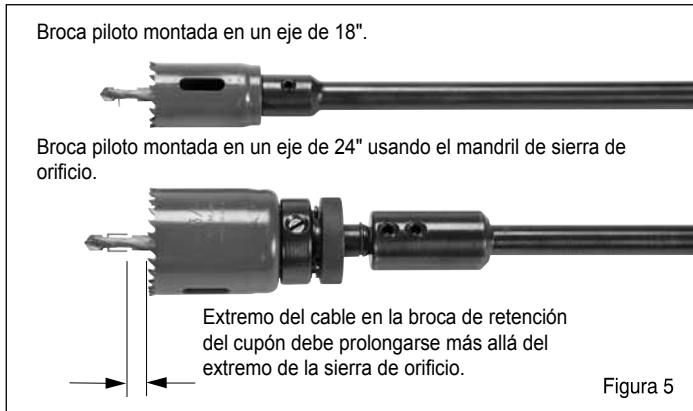
Figura 4

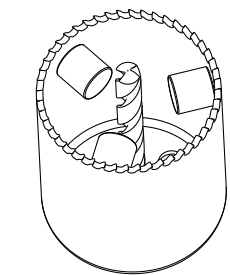
5. Instale la Sierra de orificio.
 - A. Las sierras de orificio de 5/8" a 1 1/8" se atornillan directamente al eje de 18"
 - B. Sierra de orificio de 1 3/8" a 3 1/4" - inserte el mandril # 43514 en el eje de 24", apriete los tornillos de fijación. Atornille la sierra de orificio al extremo del mandril, alinee los pasadores del cilindro con los agujeros en la sierra de orificio y gire el diámetro superior del mandril para captar los pasadores del cilindro.
6. Instale la broca de retención de cupones. El extremo del alambre debe prolongarse más allá del extremo de la sierra de orificio para retener el cupón. Alinee las partes planas de la broca con el tornillo de ajuste y apriete. Consulte la Figura 5 para configurar la broca de retención de cupones.
7.
 - A. Aplique una capa delgada de grasa H1 al eje antes y después de su uso.
 - B. Afloje la Tuerca del prensaestopas e instale el eje suavemente. Use un movimiento de torsión mientras empuja el eje más allá del sello en el Cuerpo principal.
 - C. Apriete la tuerca del prensaestopas hasta que quede ajustada.
8. Ensamble la "T" de purga correcta al cuerpo principal.
9. Ensamble la brida roscada del diámetro de la derivación, el diámetro de la derivación conforme al buje de 1 1/4", 1 1/4" por nipple cerrado, 1 1/4" por 1 1/4" por 1 1/4" "T", Unidad de sellado. Ver la Figura 6.
10. Atornille el conjunto de perforación a la válvula.
11. Instale la válvula de purga en la "T".
12. Configuración de la prueba de presión a través de la válvula de purga.
13. Conecte la manguera a la válvula de purga para enjuagar las virutas al drenaje (si se desea).
14. Coloque el eje en el motor del taladro.
 - ASEGÚRESE de que el taladro no esté configurado en modo de rotomartillo.
 - NO USE taladros de impacto.
15. Perfore hasta que el taladro piloto penetre en la línea principal. Verifique que los sellos estén bien. Se puede apretar a mano la tuerca del prensaestopas si el fluido pasa por el Cuerpo principal en el eje. No apriete demasiado la Tuerca del prensaestopas.
16. Reanudar la perforación. Use presión moderada hasta que la sierra de orificio penetre por completo en la tubería principal. Reduzca la presión sobre el taladro antes de penetrar. La reducción de la presión antes de la penetración reduce la probabilidad de que el retenedor, el cupón y la sierra de orificio golpeen la parte posterior de la tubería principal.
17. Jale el taladro y el eje, y hágalo retroceder hasta el límite, cierre la Válvula de derivación, abra la Válvula de purga y luego desconecte el Conjunto de perforación de la Válvula de derivación.
18. Afloje la Tuerca del prensaestopas y retire el eje con un movimiento giratorio. Aplique una capa delgada de grasa H1 al eje para evitar la oxidación.



PRECAUCIÓN

El agua hirviendo o el vapor pueden causar graves quemaduras. No tocar durante la operación o mientras se enfría.





NOTA: Se recomienda la **configuración de velocidad lenta** en el motor de perforación para evitar que los imanes se suelten y pierdan el cupón. **No use imanes** en sierras de orificio mayores de 1 3/4".

Figura 7

Consejos:

- Use una sierra de orificio nueva. El ahorro de tiempo con la nueva sierra de orificio justificará el pequeño costo.
- Use RPM bajas con sierras de orificio de mayor diámetro para un menor desgaste en las sierras de orificio ya que se genera menos calor

Operación OPCIONAL para perforación de tubería cargada de hierro negro, acero, hierro fundido, y de acero galvanizado, utilizando el Retenedor magnético de cupones:

Siga las instrucciones que se dan en cualquiera de las opciones anteriores, reemplazando el paso 6 con lo siguiente:

6. Instale la broca estándar # 43507, alinee las partes planas de la broca con los tornillos de fijación y apriételes. Coloque tres o más imanes cerca del borde superior, como se muestra en la Figura 7. Use imanes de 1/4" de diámetro para sierras de orificio de 5/8" -7/8" de diámetro e imanes de 3/8" de diámetro para sierras de 1 1/8" a 1 3/4" de diámetro. No use imanes en sierras de orificio de más de 1 3/4" de diámetro. Regrese al paso 7.

Instrucciones de mantenimiento:

1. Después de cada uso:
 - A. Afloje la Tuerca del prensaestopas y retire el eje.
 - B. Limpie y engrase el eje y la superficie del cojinete del cuerpo principal.
 - C. Guarde el eje y el cuerpo principal en el estuche provisto para evitar daños
2. Instrucciones de reempaquete de prensaestopas:
 - A. Desmontar el prensaestopas y deslizar el eje fuera del Cuerpo principal.
 - B. Retire el empaque viejo.
 - C. Vuelva a colocar el eje en el Cuerpo principal con un movimiento de torsión suave.
 - D. Inserte el nuevo empaque en el sentido de las agujas del reloj con un destornillador pequeño para comprimirlo en el hueco. Reemplace con la parte Reed Núm. 43511.
 - E. Reemplace el anillo de latón (93502).
 - F. Limpie la rosca en la tuerca del prensaestopas y el cuerpo principal. La suciedad en la rosca puede dañar la tuerca del prensaestopas.
 - G. Vuelva a instalar la Tuerca del prensaestopas. Apriete la tuerca con la manija, para comprimir el empaque.



REED Warranty

REED will repair or replace tools with any defects due to faulty materials or workmanship for one (1) year or five (5) years from the date of purchase, as applicable. This warranty does not cover part failure due to tool abuse, misuse, or damage caused where repairs or modifications have been made or attempted by non REED authorized repair technicians. This warranty applies only to REED tools and does not apply to accessories. This warranty applies exclusively to the original purchaser.

One (1) year warranty: Power units for pneumatic, electric, hydraulic and battery-powered tools have a one year warranty. This includes, but is not limited to REED pumps, universal pipe cutter motors, power drives, power bevel tools, threading machines, cordless batteries and chargers.

Five (5) year warranty: Any REED tool not specified under the one (1) year warranty above is warranted under the REED five (5) year warranty.

NO PARTY IS AUTHORIZED TO EXTEND ANY OTHER WARRANTY. NO WARRANTY FOR MERCHANTABILITY OR FITNESS FOR A PARTICULAR PURPOSE SHALL APPLY.

No warranty claims will be allowed unless the product in question is received freight prepaid at the REED factory. All warranty claims are limited to repair or replacement, at the option of REED, at no charge to the customer. REED is not liable for any damage of any sort, including incidental and consequential damages. This warranty gives you specific legal rights, and you may also have other rights which vary by state, province or country.

Warranty Effective December 1, 2018

Garantía REED

REED reparará o reemplazará las herramientas con cualquier defecto debido a defecto en materiales o mano de obra durante un (1) año o cinco (5) años a partir de la fecha de compra, según corresponda. Esta garantía no cubre las fallas de las piezas debido al abuso, mal uso o daños causados por reparaciones o modificaciones realizadas o intentadas por técnicos de reparación no autorizados por REED. Esta garantía se aplica solo a las herramientas REED y no se aplica a los accesorios. Esta garantía se aplica exclusivamente al comprador original.

Un (1) año de garantía: Las unidades de potencia para herramientas neumáticas, eléctricas, hidráulicas y alimentadas por baterías tienen una garantía de un año. Incluye, entre otras cosas, bombas REED, motores universales para cortatubos, motopropulsores, herramientas de biselado, máquinas roscadoras, baterías inalámbricas y cargadores.

Cinco (5) años de garantía: Cualquier herramienta REED que no esté especificada bajo la garantía de un (1) año ya mencionada cuenta con la garantía de cinco (5) años de REED.

NINGUNA DE LAS PARTES ESTÁ AUTORIZADA A EXTENDER NINGUNA OTRA GARANTÍA. NO SE APLICARÁ NINGUNA GARANTÍA DE COMERCIALIZACIÓN O IDONEIDAD PARA UN PROPÓSITO PARTICULAR.

No se permitirán reclamos de garantía a menos que el producto en cuestión se reciba en la fábrica de REED con el flete pagado por adelantado. Todos los reclamos de garantía se limitan a la reparación o reemplazo, a elección de REED, sin costo alguno para el cliente. REED no es responsable de ningún daño de ningún tipo, incluyendo daños incidentales y emergentes. Esta garantía le otorga derechos legales específicos y también puede tener otros derechos que varían según el estado, la provincia o el país.

Garantía efectiva a partir del 1 de diciembre de 2018

TRAINING VIDEOS
Videos de capacitación
Vidéos d'instructions



PIPE TOOLS & VISES
SINCE 1896



videos.reedmfgco.com