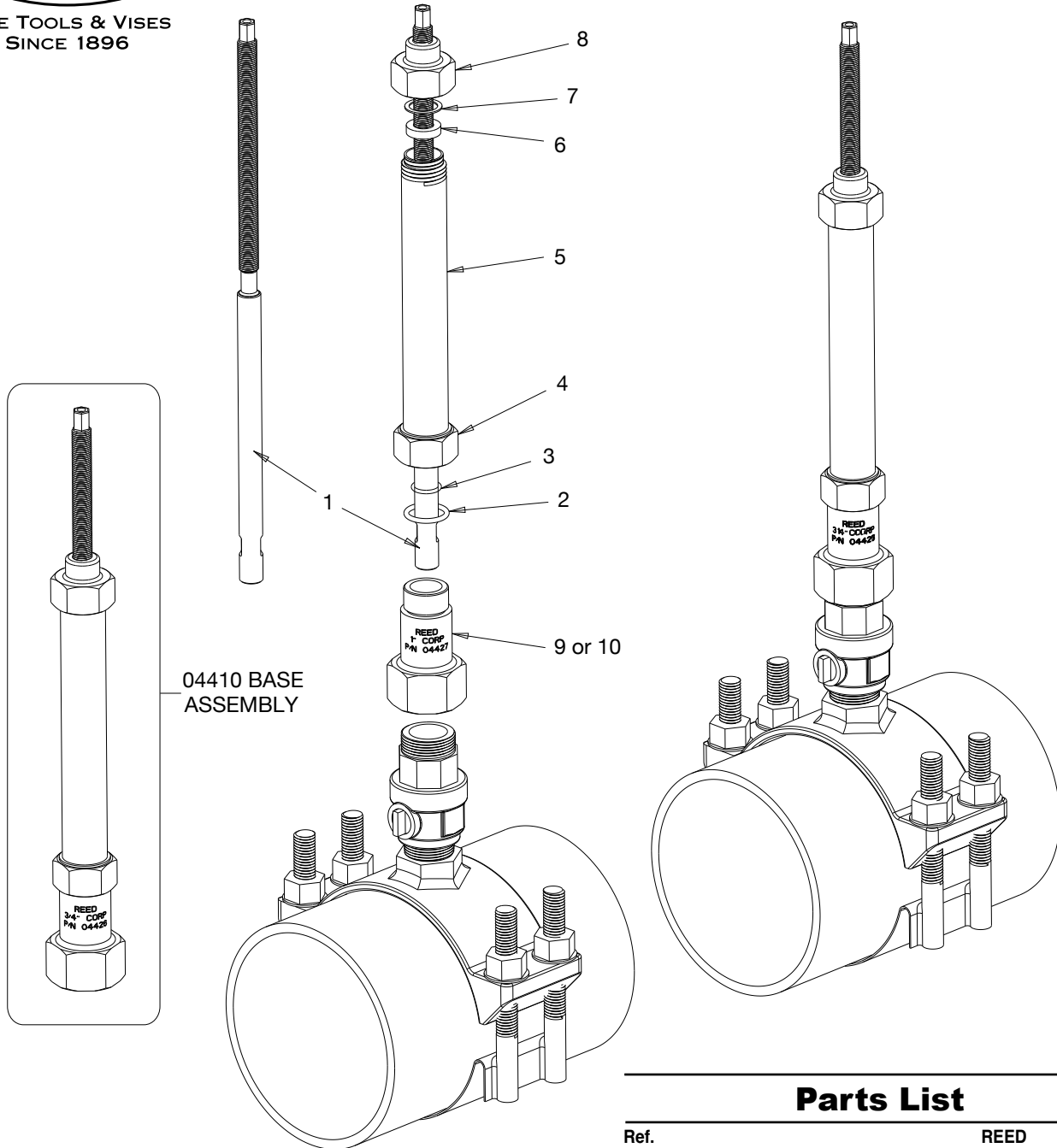




PIPE TOOLS & VISES
SINCE 1896

PVC/PE Drilling Machine (DMPVC)

Replacement Parts



Parts List

Ref. No.	Description	REED Item Code	Quantity
1	Boring Bar / Feed Screw	94205	1
2	O-Ring	40407	1
3	O-Ring	40406	1
4	End Adapter	94155	1
5	Main Body	94153	1
6	Bar Stop	94159	1
7	Retaining Ring	40428	1
8	Feed Nut	94204	1
9	DMPVC 3/4" Corp Adapter	04426	1
10	DMPVC 1" Corp Adapter	04427	1

Reed Manufacturing
1425 West 8th Street
Erie, PA 16502 USA

QUALITY
& Service
that Last a Lifetime

Phone: 800-666-3691 or +1-814-452-3691
Fax: 800-456-1697 or 814-455-1697
www.reedmfgco.com



PIPE TOOLS & VISES
SINCE 1896

PVC Drilling Machine (DMPVC)

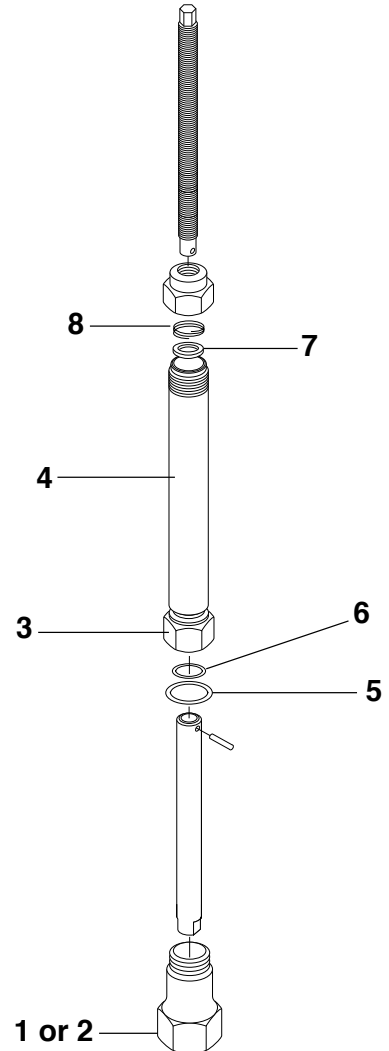
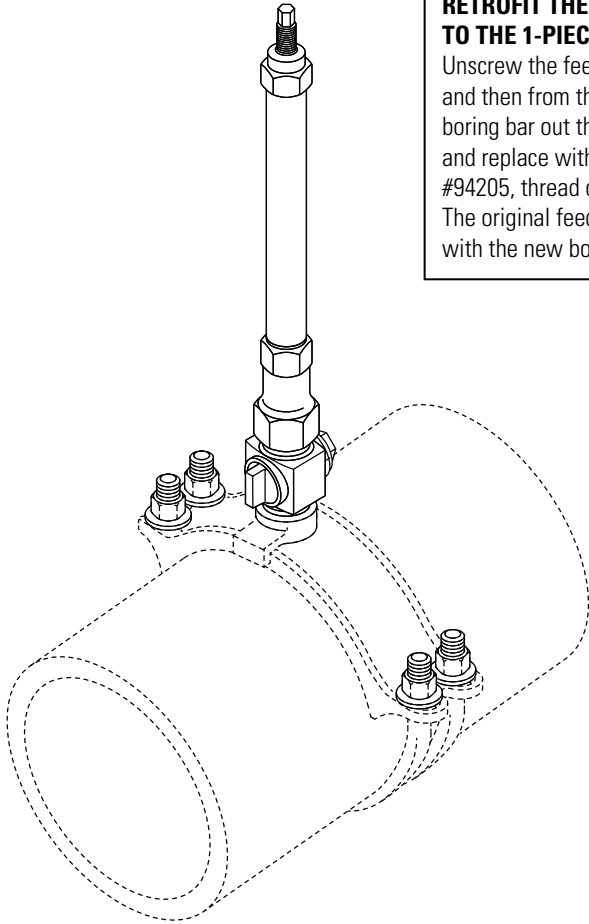
Replacement Parts

For units manufactured by Reed prior to 2014 using a 2-piece shaft.

NOTE: To convert the 2-piece design to the newer 1-piece boring bar, order DMPVC Conversion Kit #04409.

RETROFIT THE 2-PIECE BORING BAR TO THE 1-PIECE BORING BAR:

Unscrew the feed nut from the main body and then from the boring bar. Slide the old boring bar out the far end of the main body and replace with the new revised boring bar #94205, thread on the new feed nut #94204. The original feed nut #94154 cannot be used with the new boring bar #94205.



Parts List

Ref. No.	Description	REED Item Code	Cat No.
1	1" Corp. Adapter	04427	DMCA100PVC
2	3/4" Corp. Adapter	04426	DMCA75PVC
3	End Adapter	94155	DMF8485
4	Main Body	94153	DMF8483
5	O-Ring	40407	DMPVCOR-209
6	O-Ring	40406	DMPVCOR-215
7	Bar Stop	94159	DMF8489
8	Retaining Ring	40428	DMPVCRR

