



PIPE TOOLS & VISES
SINCE 1896



4-1CI

4-4WGA

Operating Instructions

4" Steel Pipe Cutters

For cutting steel, ductile iron and cast iron pipe

REED MANUFACTURING COMPANY

1425 WEST 8TH ST. ERIE, PA 16502 USA

PHONE: 800-666-3691 OR 814-452-3691 FAX: 800-456-1697 OR 814-455-1697

www.reedmfgco.com

Table 1

CUTTER CHART

Catalog No.	Item Code	Pipe Capacity		Length		Weight	
		Inches Nom.	Actual Ø mm	in	mm	lbs	kg
4-4 WGAS*	03441	2 - 4	60 - 125	26	660	22	10.0
4-4S	03442	2 - 4	60 - 125	26	660	22	10.0
4-3S	03443	2 - 4	60 - 125	26	660	21	9.5
4-1S	03444	2 - 4	60 - 125	26	660	21	9.5
4-4WGACI*	03445	2 - 4	60 - 125	26	660	22	10.0
4-4CI	03446	2 - 4	60 - 125	26	660	22	10.0
4-3CI	03447	2 - 4	60 - 125	26	660	21	9.5
4-1CI	03448	2 - 4	60 - 125	26	660	21	9.5

*Only the "WGA" models include spring-loaded guides.

Table 2

CUTTER WHEEL REFERENCE CHART

Cutter Wheel				
Item Code	Catalog No.	Quantity	Cutter	Application
03616	3RG	4	4-4WGAS	Steel; Stainless Steel
03616	3RG	4	4-4S	Steel; Stainless Steel
03616	3RG	3	4-3S	Steel; Stainless Steel
03616	3RG	1	4-1S	Steel; Stainless Steel
03617	3RGCI	4	4-4WGACI	Cast Iron; Ductile Iron
03617	3RGCI	4	4-4CI	Cast Iron; Ductile Iron
03617	3RGCI	3	4-3CI	Cast Iron; Ductile Iron
03617	3RGCI	1	4-1CI	Cast Iron; Ductile Iron

Operating Instructions

1. Choose the cutter wheel for the right pipe application: steel, cast iron, etc. (Table 2)
2. Turn handle to open cutter enough to accommodate the size of pipe to be cut.
3. Place cutter around pipe with spring-loaded guides on top (if equipped). Turn the cutter handle until the wheels are uniformly touching the pipe.
4. Begin to cut the pipe by moving the entire cutter in a back and forth motion that constitutes a 90 - 110 degree swing. For 4-wheel and 3-wheel models.
1 Wheel (4-1 model) requires a 360° of swing.
5. Check to make sure that the wheels are tracking uniformly. If so, tighten the handle one-quarter turn each time that you bring the cutter handle back toward yourself.

WARNING: DO NOT STOP FOR ANY SIGNIFICANT AMOUNT OF TIME IN THE MIDDLE OF A CUT! THE CUTTING ACTION GENERATES HEAT ON THE PIPE. UPON COOLING, THE WHEELS MAY BECOME WEDGED IN THE TRACK. THIS IS ESPECIALLY TRUE FOR DUCTILE IRON PIPE.

6. Complete the cut by maintaining pressure on the cutter wheels as you continue to swing the cutter in a back and forth motion.

USE LUBRICATING OIL: It will take less effort and prolong the life of the cutter wheels and pins. DO NOT use cutting oil.

BADLY CRUSTED AND RUST SCALED PIPE: Use a Reed Descaler (Table 3) to remove the rust and scale from the area to be cut. A hammer and chisel or coarse file may also be used. Descaling will help save cutter wheels and cutting time; and will help square the cutter on the pipe to insure tracking.

Table 3
PIPE DESCALERS

Cat. No.	Item Code	Pipe Capacity		Style	Length	
DS12	08000	3 - 12 in	70 - 300 mm	Steel	32 in	810 mm
DS36	08006	3 - 36 in	70 - 910 mm	Steel	44 in	1110 mm
DS12B	08008	3 - 12 in	70 - 300 mm	Belt	45 in	1143 mm
DS36B	08010	12 - 36 in	300 - 910 mm	Belt	72 in	1829 mm

HELPFUL HINTS FOR DUCTILE IRON PIPE: Maintain maximum pressure on the cutter wheels. Continue feeding in with each revolution or cycle as ductile iron pipe tends to work harden and will become extremely difficult to penetrate. Once pipe is fractured, continue feeding to insure cut has in fact been completed all the way around the pipe.

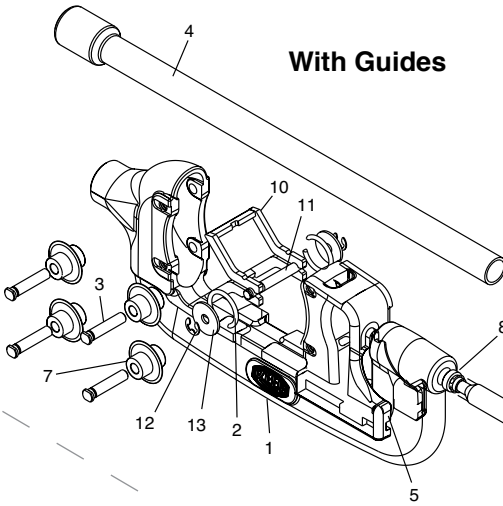
NOTE:

- No cutter wheels available for cutting soil pipe.
- For cutting larger diameter pipe up to 36" (915 mm O.D.), try Reed Rotary™ Cutters.
- For cutting cast iron and ductile iron up to 48" (1300 mm O.D.) with air or hydraulic power, try Reed Universal Pipe Cutters.
- The slide block of the 4-1 cutter is designed to come off when fully closed.

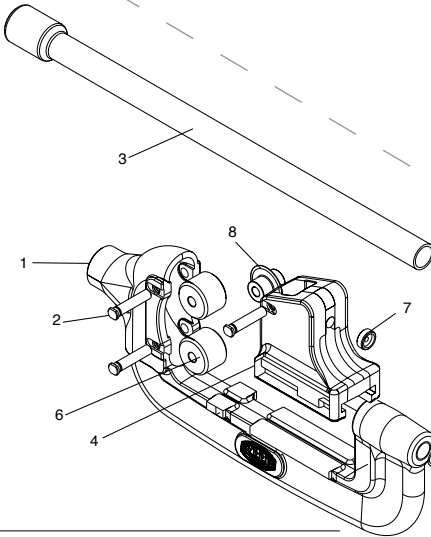
Parts List

Ref. No.	Description	Item Code	Qty
1	Cutter Body	93481	1
2	Spring	93487	2
3	Wheel Pin	93485	4
4	S82 / S84 Handle	97219	1
5	Double Wheel Block	93479	1
6	Grip	40196	2
7a	Cutter Wheel for Steel/Stainless	03616	1
7b	Cutter Wheel for Cast Iron/Ductile Iron	03617	1
8	Thrust Washer	93679	1
9	Handle Assembly	93484	1
10	Guide Assembly	93475	2
11	Guide Pin	93486	1
12	Retainer Ring	30009	2
13	Washer	40022	2

With Guides



Standard



Parts List

Ref. No.	Description	Item Code	Qty
1	Cutter Body	93481	1
2	Wheel Pin	93485	3
3	S82 / S84 Handle	97219	1
4	Single Wheel Block	93477	1
5	Grip	40196	2
6	Roller	93482	2*
7	Thrust Washer	93679	1
8a	Cutter Wheel for Steel/Stainless	03616*	1
8b	Cutter Wheel for Cast Iron/Ductile Iron	03617*	1
9	Handle Assembly	93484	1

*4-1 uses 1 wheel, 2 rollers. 4-3 uses 3 wheels, no roller.

4-4 uses 4 wheels, no roller.